



# DESIGNED FOR PRODUCTIVITY

**3.0 / 4.0 T CAPACITY (2700 / 3600 KG)  
WALKIE END RIDERS**



# SUPERIOR PERFORMANCE

12



\* in most applications.

## Maximize Your Business

The Cat® WR30/WR40 walkie end riders are designed to provide your business with maximum performance and efficiency. Featuring industry-leading travel speeds, these end riders are built to keep your business on track, while delivering the protection and comfort your operators deserve during long shifts.

### ADVANTAGES TO YOU:

- **Innovative 3-phase AC Motors** – Engineered for maximum efficiency and coupled with the high output AC controller, the Cat WR30/40 end riders are designed to attain a high level of performance – helping you move more pallets in less time.
- **Top Speed** – The fastest end rider in the industry – this series of end riders reaches speeds up to 9.3 mph. This helps boost productivity in applications with long runs, enabling operators to reach their destinations in less time, while moving more product. Quick acceleration, combined with smooth directional changes, means significant gains in productivity.
- **Increased Performance** – In addition to traditional ramps, trailers in pit style docks can create a natural incline – causing some end riders to lose traction. Because of its strategic weight distribution, this Cat end rider is designed to hold firmly to the floor, giving your operators the confidence and control they need to get the job done.
- **Innovative Technology** – The CAN-Bus communication system reduces the amount of wiring required for faster data transmission. Reduced cabling also means the end rider is easier to troubleshoot and service – ultimately reducing downtime.
- **Resilient Components** – These end riders feature a simplified pull rod design on the heavy-duty forks that not only allows for easier, one tool adjustment, but also requires less maintenance over time.

## Maximum Efficiency

### ORDER PICKING SOLUTIONS

When low-level order picking, every step counts. The Cat coast control option saves time and money by removing the need for operators to step back onto the truck to advance between picks. Eliminating steps can result in significant time savings during each shift.

### Available Configurations:

- **Dual Tiller Jog Buttons** - Convenient jog buttons mounted on both sides of the tiller allow for both steering and walk-along operation.
- **Coast Control With Mechanical Tiller Lock** – Allows operators to lock the tiller in the operating position – saving the operator the additional step of lowering the handle when transitioning to “rider” mode.
- **ProPick Buttons** - The side-mounted ProPick buttons allow the operator to advance the truck directly from the picking position for even greater productivity.

# MAXIMUM PRODUCTIVITY

## Operate With Ease And Comfort

The WR30/WR40 series of electric end riders was built with the operator's wellbeing in mind. Designed to make challenging applications less demanding, these end riders provide the security and comfort that operators need to be efficient.

### MORE CONTROL

The ergonomic control handle features lift/lower buttons on both sides and a slip resistant grip that conforms to the operator's hand, allowing for easy operation from either side of the platform. The thumb butterfly switches help control the travel speed. In addition, the "rabbit" button allows the end rider to operate at top speed, and also activates the crawl speed when the tiller is upright for maximum maneuverability in tight spaces.

### "SMART" AUTO REVERSE

Different from other emergency reverse buttons, the Cat end rider is "smart" – it can only be activated when the truck is moving toward the operator. This feature increases operator confidence when traveling in reverse in addition to helping the operator avoid inadvertent lunging or acceleration when activation is not intended.

### COMFORTABLE OPERATION

The spacious operator platform has the largest surface area and thickest rubber floor mat in the industry, giving your operators the ability to comfortably adjust their position throughout the day. There is a "foot alcove" located under the motor cover that allows for a wider stance and helps to ensure your operators' feet remain fully on the platform.



Comfortable foot alcove

## Protecting Your Investment, Shift After Shift

Sealed components provide lower maintenance costs, increased durability and higher profits for your business.

### PROTECTED COMPONENTS

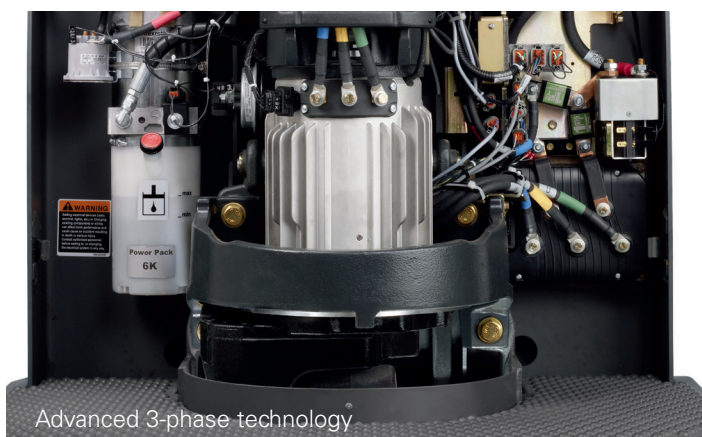
- IP 54-rated AC motor
- IP 65-rated AC controller
- IP 65-rated SAAB® connectors
- Non-contact Hall Effect sensors in the control handle do not wear for enhanced durability
- Grab bar controls feature sealed membrane switches to fully protect against dirt and moisture, reducing overall maintenance costs

### STRONG, DURABLE FORKS

Our formed, steel forks (36"-72") are the thickest in the industry, and our welded forks (84"-144") are made from solid bar stock steel – providing enhanced durability when working on dock boards and ramps. When either style is combined with cast steel fork tips, they are designed to withstand demanding applications.

## Lithium-Ion Availability:

- Greater power efficiency
- Run for 24 hours a day, 7 days a week with opportunity charging
- Zero battery maintenance
- No watering
- No more battery exchanges
- No gas emissions, odor or acidification
- No special charging areas or equipment needed
- Longer lasting life cycles (up to 3,000)
- 5-year warranty on batteries
- 2-year warranty on chargers



Advanced 3-phase technology



Durable forks for demanding applications

# RELIABLE SOLUTIONS





## Valuable Options For Tough Applications

Reduce the strain on your operators and your equipment by investing in specialized options that help make harsh applications less demanding.

### OPTIONS FOR COMFORT AND CONTROL:

- **Electric Power Steering** – Perfect for congested applications where precise turns are required, electric power steering significantly reduces the force needed to steer the truck. This option is especially beneficial when traveling on coarse floors or when the truck is at rest.
- **Suspended Operator Platform** – The suspended platform is positioned over eight springs, offering maximum comfort over long runs, dock plates and uneven floors. The suspended floor is also available with a traction plate for wet and freezer applications.

### PERFORMANCE ENHANCING OPTIONS:

- **ProTracLink Stability Casters** – Our linked caster system integrates the movement of both casters, which greatly improves stability while automatically adjusting for drive wheel wear. If one caster falls off the edge of a dock plate, the steel torsion bar holds it up to the same level as the other caster, helping prevent caster damage.
- **Pallet Entry Rollers** – Pallet entry and exit is a common and sometimes costly problem with pallet trucks. Our pallet entry rollers are an exclusive design. As the truck enters the pallet, the disk rotates in a circular motion, grabbing the bottom deck board and pulling the forks forward into the pallet quickly and efficiently. This makes moving loads easier for your operators.

### OPTIONS FOR MAXIMUM DURABILITY:

- **Forks Automatically Raised For Travel** – Applications with rough or messy floor conditions or significant debris can damage your equipment, especially if operators drag the forks during travel. This option automatically keeps the forks raised 1.5" off the ground, helping to prevent damage to the pull rods and the undercarriage. The result: increased durability, and reduced maintenance and service costs over the long haul.
- **Corrosion Protection Package** – Built to withstand extremely harsh environments, this package includes galvanized components for increased durability. The frame, pull rods, forks and load wheel and lift linkage are made of galvanized steel. The load wheel axles are stainless steel for further protection.



Optional protection packages for harsh environments



Local service and support



Genuine OEM parts



Custom financing packages

# MORE CONFIDENCE







Factory warranty for added protection



## Local Support You Can Count On

A Cat lift truck purchase connects you to a variety of material handling solutions, including world-class service and support from your local, trusted dealer. With trained service technicians, a diverse parts inventory and a broad selection of service options, your local dealer can help you lower costs, enhance productivity and more efficiently manage your business.

### FINANCING MADE SIMPLE

Financing your next Cat lift truck is easy with our wide range of flexible leasing and purchasing options. Whether you want to finance or lease, your local Cat lift truck dealer can help customize a package for your business.

### WHEN EVERY PART COUNTS

When buying from your local Cat lift truck dealer, you can rest assured that your genuine OEM parts are manufactured to meet original equipment criteria. Additionally, all Cat lift trucks OEM parts come with a six-month, unlimited-hours warranty.

### STANDING BEHIND OUR PRODUCTS

We deliver peace of mind by helping your lift trucks stay on the job. Every new Cat lift truck is covered by a 1-year / 2,000-hours warranty that includes parts and labor, as well as components and systems. With our standard 2-year / 4,000-hours extended powertrain warranty, you'll have the confidence that only comes from owning a Cat lift truck.

\* At dealer's location.

† Programs may be subject to change without notice and may vary by region.  
Please ask your local Cat lift truck dealer for complete terms and conditions.

# Specifications

| Characteristics |  |      |      | WR30 <sup>1)</sup>             |  |                     |  | WR40 <sup>1)</sup>             |  |                     |  |
|-----------------|--|------|------|--------------------------------|--|---------------------|--|--------------------------------|--|---------------------|--|
| 1               | Type   |      |      | electric walkie end-rider      |  |                     |  | electric walkie end-rider      |  |                     |  |
| 2               | Capacity at rated load center                              | lb   | kg   | 6,000                          |  | 2,700               |  | 8,000                          |  | 3,600               |  |
| 3               | Capacity load center - distance from fork face             | in   | mm   | 24                             |  | 600                 |  | 24                             |  | 600                 |  |
| Dimensions      |  |      |      | WR30 <sup>1)</sup>             |  |                     |  | WR40 <sup>1)</sup>             |  |                     |  |
| 4               | Wheelbase –forks raised                                    | in   | mm   | 61.5 <sup>2)</sup>             |  | 1,560 <sup>2)</sup> |  | 81.5 <sup>2)</sup>             |  | 2,068 <sup>2)</sup> |  |
| 5               | Track width – rear   | in   | mm   | 17.8                           |  | 450                 |  | 17.8                           |  | 450                 |  |
| 6               | Maximum lift height  | in   | mm   | 8.7                            |  | 222                 |  | 8.7                            |  | 222                 |  |
| 7               | Lowered fork height  | in   | mm   | 3.35                           |  | 85                  |  | 3.35                           |  | 85                  |  |
| 8               | Overall length   | in   | mm   | 90                             |  | 2,287               |  | 138                            |  | 3,507               |  |
| 9               | Length to forkface (headlength)                            | in   | mm   | 42.3                           |  | 1,076               |  | 42.3                           |  | 1,076               |  |
| 10              | Overall width  | in   | mm   | 35.8                           |  | 910                 |  | 35.8                           |  | 910                 |  |
| 11              | Fork dimensions  | in   | mm   | 2.4 / 90. / 47.7               |  | 60 / 229 / 1,211    |  | 2.4 / 9.8 / 95.7               |  | 60 / 248 / 2,431    |  |
| 12              | Overall width across forks                                 | in   | mm   | 26.8                           |  | 679                 |  | 27.5                           |  | 698.2               |  |
| 13              | Ground clearance – center of wheelbase                     | in   | mm   | 0.98                           |  | 25.2                |  | 1.07                           |  | 27.2                |  |
| 14              | Turning radius - forks raised                              | in   | mm   | 78.0 <sup>2)</sup>             |  | 1,981 <sup>2)</sup> |  | 97.9 <sup>2)</sup>             |  | 2,487 <sup>2)</sup> |  |
| Performance     |  |      |      | WR30 <sup>1)</sup>             |  |                     |  | WR40 <sup>1)</sup>             |  |                     |  |
| 15              | Travel speed, loaded / empty                               | mph  | km/h | 7.1 / 9.3                      |  | 11.4 / 15           |  | 6.2 / 9.3                      |  | 10 / 15             |  |
| 16              | Lift speed, loaded / empty                                 | mph  | km/h | 8.0 / 9.8                      |  | 0.040 / 0.050       |  | 7.5 / 9.8                      |  | 0.038 / 0.050       |  |
| 17              | Gradeability, loaded                                       | %    |      | 13                             |  |                     |  | 10                             |  |                     |  |
| 18              | Gradeability, empty  | %    |      | 25                             |  |                     |  | 25                             |  |                     |  |
| Weight          |  |      |      | WR30 <sup>1)</sup>             |  |                     |  | WR40 <sup>1)</sup>             |  |                     |  |
| 19              | Service weight - with maximum weight battery (see line 34) | lb   | kg   | 2,730                          |  | 1,240               |  | 3,030                          |  | 1,375               |  |
| 20/ 21          | Axle loaded with maximum battery – front / rear            | lb   | kg   | 3,100 / 5,630                  |  | 1,420 / 2,520       |  | 2,795 / 8,235                  |  | 1,300 / 3,675       |  |
| 22/23           | Axle unloaded with maximum battery – front / rear          | lb   | kg   | 2,020 / 710                    |  | 918 / 322           |  | 2,115 / 915                    |  | 960 / 415           |  |
| Chassis         |  |      |      | WR30 <sup>1)</sup>             |  |                     |  | WR40 <sup>1)</sup>             |  |                     |  |
| 24              | Tires  |      |      | PU (polyurethane)              |  |                     |  | PU (polyurethane)              |  |                     |  |
| 25              | Tire size – drive  | in   | mm   | 12.0 x 5.0                     |  | 305 x 127           |  | 12.0 x 5.0                     |  | 305 x 127           |  |
| 26              | Tire size – load wheels                                    | in   | mm   | 3.27 x 6.3                     |  | 83 x 160            |  | 3.27 x 6.3                     |  | 83 x 160            |  |
| 27              | Caster dimensions  | in   | mm   | 4.0 x 2.5                      |  | 101 x 63            |  | 4.0 x 2.5                      |  | 101 x 63            |  |
| 28/29           | Brake type – service / parking                             |      |      | regenerative / electromagnetic |  |                     |  | regenerative / electromagnetic |  |                     |  |
| Electrical      |  |      |      | ECS14N                         |  |                     |  | ECS16N                         |  |                     |  |
| 30              | Drive motor rating 60 minutes                              | HP   | kW   | 4.3                            |  | 3.2                 |  | 4.3                            |  | 3.2                 |  |
| 31              | Lift motor rating 10%                                      | HP   | kW   | 2.0                            |  | 1.5                 |  | 2.0                            |  | 1.5                 |  |
| 32              | Voltage, nominal capacity (at 6-hour rate)                 | V/Ah |      | 24 / 840                       |  |                     |  | 24 / 840                       |  |                     |  |
| 33              | Battery weight - minimum                                   | lb   | kg   | 970                            |  | 440                 |  | 970                            |  | 440                 |  |
| 34              | Battery weight – maximum                                   | lb   | kg   | 1,430                          |  | 650                 |  | 1,430                          |  | 650                 |  |
| 35              | Drive controls   |      |      | 3-phase AC drive control       |  |                     |  | 3-phase AC drive control       |  |                     |  |
| 36              | Steering controls  |      |      | mechanical                     |  |                     |  | mechanical                     |  |                     |  |

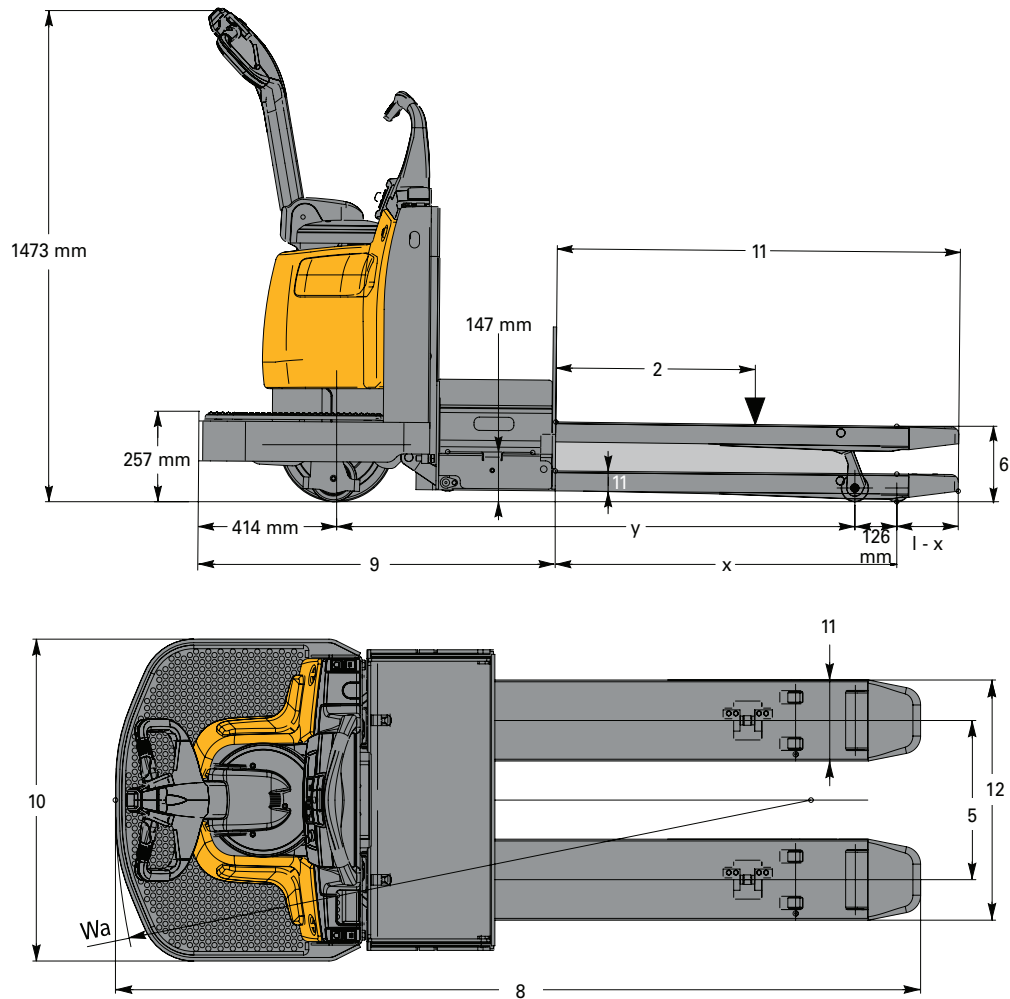
1) WR30 with 27 x 48 inch (686 x 1219 mm) forks and standard fork tip; WR40 with 27 x 96 inch (686 x 2438 mm) forks and extended fork tip  
 2) Load section lowered: add 4.96 inches (126 mm);  
 battery compartment 21.25" = 48.7" (1237 mm);

| Standard Fork Tip       |     |    |      |      |      |      |      |      |      | Extended Fork Tip |      |       |       |       |      |       |      |       |      |       |      |       |      |       |      |       |      |
|-------------------------|-----|----|------|------|------|------|------|------|------|-------------------|------|-------|-------|-------|------|-------|------|-------|------|-------|------|-------|------|-------|------|-------|------|
| Nominal Fork Length     |     | in | 36.0 | 42.0 | 48.0 | 60.0 |      | 67.0 | 72.0 | 84.0              | 93.0 | 96.0  | 103.0 | 144.0 |      |       |      |       |      |       |      |       |      |       |      |       |      |
| Actual Fork Length      | l   | in | mm   | 35.7 | 906  | 41.7 | 1058 | 47.7 | 1211 | 59.6              | 1515 | 66.7  | 1694  | 71.7  | 1821 | 83.7  | 2126 | 92.7  | 2355 | 95.7  | 2431 | 102.7 | 26.8 | 143.5 | 3645 |       |      |
| Overall Fork Length     |     | in | mm   | 78.0 | 1982 | 84.0 | 2134 | 90.0 | 2287 | 102.0             | 2591 | 109.0 | 2769  | 114.0 | 2896 | 126.1 | 32.2 | 135.1 | 3431 | 138.1 | 3507 | 145.0 | 3684 | 185.9 | 4721 |       |      |
| Wheelbase (raised)      | y   | in | mm   | 49.4 | 1256 | 55.4 | 1408 | 61.5 | 1561 | 73.4              | 1865 | 80.4  | 2042  | 85.4  | 2169 | 81.4  | 2068 | 81.4  | 2068 | 81.5  | 2068 | 81.4  | 2068 | 109.2 | 2774 |       |      |
| Load Wheel Distance     | x   | in | mm   | 29.3 | 720  | 34.3 | 872  | 40.3 | 1025 | 52.3              | 1329 | 59.3  | 1506  | 64.3  | 1633 | 60.3  | 1532 | 60.3  | 1532 | 60.3  | 1532 | 60.3  | 1532 | 60.3  | 1532 |       |      |
| Fork Tip Length         | l-x | in | mm   | 7.3  | 186  | 7.3  | 186  | 7.3  | 186  | 7.3               | 186  | 7.3   | 185   | 7.3   | 185  | 23.4  | 594  | 32.4  | 823  | 35.4  | 899  | 42.4  | 1076 | 55.4  | 1407 |       |      |
| Grade Clearance         |     | %  |      | 37.8 | 37.8 | 33.5 | 33.5 | 30.1 | 30.1 | 25.0              | 25   | 25    | 25    | 25    | 25   | 22.5  | 22.5 | 22.5  | 22.5 | 22.5  | 22.5 | 22.5  | 22.5 | 22.5  | 16.7 | 16.7  |      |
| Turning Radius (raised) | Wa  | in | mm   | 66.1 | 1678 | 72.0 | 1829 | 78.0 | 1981 | 89.9              | 2284 | 96.9  | 2461  | 101.9 | 2588 | 97.9  | 2487 | 97.9  | 2487 | 97.9  | 2487 | 97.9  | 2487 | 97.9  | 2487 | 125.7 | 3192 |
| Fork Width              |     | in | mm   | 9.0  | 229  | 9.0  | 229  | 9.0  | 229  | 9.0               | 229  | 9.0   | 229   | 9.0   | 229  | 9.8   | 248  | 9.8   | 248  | 9.8   | 248  | 9.8   | 248  | 9.8   | 248  | 9.8   | 248  |

NOTE: Dimensions represent maximum battery size, not compartment size. These specifications assume the use of drive axles, tires and tilt angles specified. Any modification to specifications, or any other combination of specifications made after the shipment of the truck, requires prior written approval from Mitsubishi Logisnext Americas Inc. (See ANSI/ITSDF B56.1). Also be advised that overall operating visibility may be affected by the mast configuration and mast options of your forklift truck. Therefore, you may need to add ancillary (auxiliary) devices or modify your operating practices. Consult your dealer for further information.

## WR30 / WR40

Call-out numbers shown in the diagram correspond to the first column of the specifications chart.



Note: Equipping this model (these models) with a power source (e.g. Lithium-ion, Hydrogen Fuel cell, etc.) that has not been previously approved by the factory is considered a modification. Per OSHA 1910.178 and ANSI/ITSDF B56.1, please consult with your factory representative prior to installing any non-OEM power source that has not been previously approved.

### Safety Standards

These trucks meet American National Standards Institute/Industrial Truck Standards Development Foundation, ANSI/ITSDF B56.1.

UL-Classified by Underwriters Laboratories, Inc., as to fire and electric shock hazard only. Availability: Type E standard. Types ES and EE optional. Users should be aware of, and adhere to, applicable codes and regulations regarding operator training, use, operation and maintenance of powered industrial trucks, including:

- ANSI/ITSDF B56.1.
- NFPA 505, fire safety standard for powered industrial trucks - type designations, areas of use, maintenance and operation.
- Occupational Safety and Health Administration (OSHA) regulations that may apply.

Contact your Cat lift truck dealer for further information including operator training programs and auxiliary visual and audible warning systems, fire extinguishers, etc., as available for specific user applications and requirements. Specifications, equipment, technical data, photos and illustrations based on information at time of printing and subject to change without notice. Some products may be shown with optional equipment.



Your Cat lift truck dealer can provide additional options and features to specialize your lift truck for your unique application. Operator training and custom financing programs are also available to help find the right fit for your business.

Helping move businesses forward – that’s how we’re built.

**1-800-CAT-LIFT | [www.logisnextamericas.com/cat](http://www.logisnextamericas.com/cat)**

© 2021 Mitsubishi Logisnext Americas Inc. All Rights Reserved. CAT, CATERPILLAR, their respective logos, “Caterpillar Yellow,” the “Power Edge” trade dress as well as corporate and product identity used herein, are trademarks of Caterpillar and may not be used without permission. All registered trademarks are the property of their respective owners.

Some products may be shown with optional equipment.

CECN0302

08/21

